

## FEATURES

- Solid front with full blow back
- All stainless steel system
- Dry / liquid filled
- Light weight
- Stabilized accuracy

## APPLICATION

- Oil & Gas applications
- High pressure applications
- Corrosive & Hazardous environments

### Turret Design



### STANDARD PARAMETERS

Accuracy	: Grade 2A ( $\pm 0.5\%$ )
Ambient temperature	: -20...+65°C (without dampening liquid)
	: 10...+65°C (with dampening liquid, glycerin)
Service temperature	: 120°C max.
Pressure limits	: Steady pressure up to FS value
	: Fluctuating pressure up to 90% of FS value
	: Short time 1.3 x FS value for range up to 100 bar
	: Short time 1.15 x FS value for range above 100 bar
Weld joints	: TIG argon arc welding

### MATERIAL OF CONSTRUCTION

Sensing element	: Bourdon Tube (<100 bar : C - type , >100 bar : Helical)
Case & Ring material	: Phenolic resin
Bourdon tube & Shank	: AISI 316L SS
Movement mechanism	: AISI 304 SS
Dial	: Aluminum, black graduation on white background
Pointer	: Micro-zero adjustable, aluminum, black powder coated
Gaskets & filling plug	: Neoprene / NBR
Blow off disc	: Phenolic resin
Window	: Shatterproof safety glass

### STANDARD SPECIFICATIONS

Dial size	: 4.5"
Range	: -1...0...1,600 bar
Mounting pattern	: Direct, Bottom connection
Process connection	: 1/2" NPT (M) / 1/2" BSP (M)
Ingress protection	: IP 65
Execution	: Dry but fillable

### STANDARD SPECIFICATIONS : DAMPENING LIQUID FILLED, GLYCERIN

Window	: Shatterproof safety glass
Dampening liquid	: Glycerin 99.7% [Service temperature up to 65°C]

### TEMPERATURE EFFECT

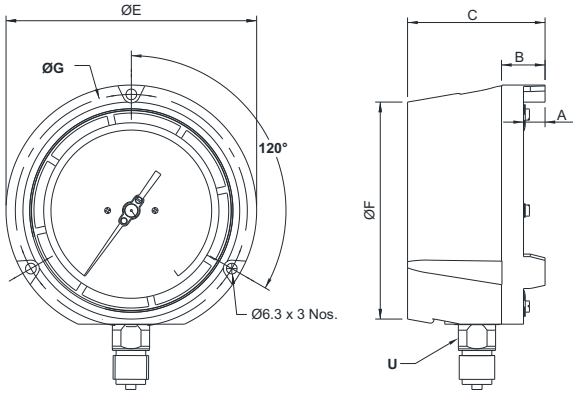
When temperature of the measuring system deviates from reference temperature (+20°C) max error  $\pm 0.4\%$  / 10K of true scale value.

## REFERENCE

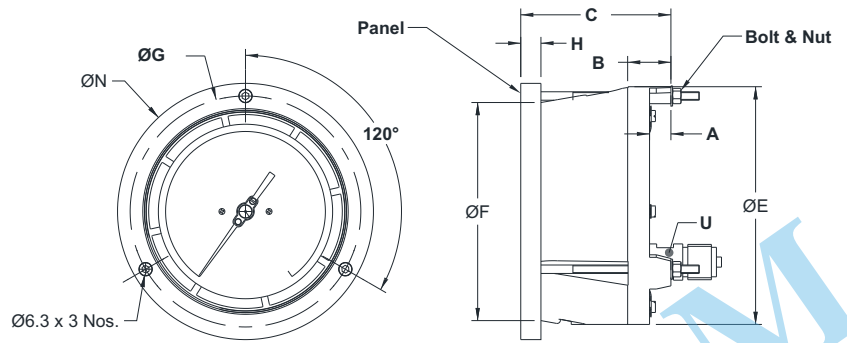
ANSI B 40.100

DIMENSIONAL DRAWING

Type B0, B1



Type L1



DN	A	B	C	ØE	ØF	G	U	Weight (grams)
115	12.5	26	82	149	129	137	A/F-22	828

DN	A	B	C	ØE	ØF	G	H	ØN	U	Weight (grams)
115	12.5	26	82	149	129	137	12	152	A/F-17	933

All dimensions are in mm.

ORDERING CODES

1. DIAL SIZE

45 4.5"

2. RANGE

XXX Refer "Range Table"

3. MOUNTING PATTERN

- B0** Direct, Bottom connection
- B1** Wall/Surface/Projection mounting, Bottom connection
- L1** Panel/Front flange mounting, Lower back connection

4. PROCESS CONNECTION

- 12B** 1/4" BSP (M)
- 12N** 1/4" NPT (M)
- 13B** 3/8" BSP (M)
- 14B** 1/2" BSP (M)
- 14M** M20 X 1.5 mm (M)
- 14N** 1/2" NPT (M)
- 13N** 3/8" NPT (M)

5. INGRESS PROTECTION

- ER** IP 65
- ES** IP 66
- ET** IP 67

6. EXECUTION

- EB** Dry but fillable
- EG** Dampening liquid filled, glycerine

7. OTHER OPTIONS

- EM** Dampening screw, Monel
- EN** Dampening screw, AISI 316 SS
- EX** Internal overload stop
- EY** Internal vacuum stop
- EZ** Pointer stop on dial
- GB** Plexi glass
- GL** AISI 316 SS movement
- GM** Dampened movement
- MN** Monel wetted parts
- R9** Receiver range
- TA** 5 - point calibration certificate
- TC** Material test certificate 3.1
- TM** Material test certificate 2.2
- TN** Tested to NACE standards
- TO** Certification for Oxygen service
- TP** Performance test
- TT** C.C. with NABL traceability
- XF** SS tag plate, AISI 304 SS
- XG** SS tag plate, AISI 316 SS
- XR** Custom designed dial
- XT** Dial tag marking
- XB** Accuracy ± 1.0% of FS

Ordering Example : P204-45-XXX-B0-14N-ER-EB

NOTES

1. For other connections, please contact factory.
2. C.C = Calibration Certificate